

**ABOUT TIMES-7**

We are a high-tech company specializing in the design and manufacture of RAIN (UHF) RFID antennas. Founded in 2006, Times-7 has developed the largest portfolio of fixed RAIN RFID reader antennas. Based in Lower Hutt, New Zealand we export all over the world through an authorized network.

Times-7 antennas are famous for their quality and performance.

In addition to our world-class products and in-depth expertise, our customers appreciate Times-7's customer service and technical support. We are responsive in supporting a large global customer base and ensuring the success of our customer's implementations.

Times-7 Research Ltd  
10 Te Puni Street  
Lower Hutt 5012  
New Zealand

NEW Zealand  
P: +64 4 974 6566

USA/CANADA  
P: +1 408 769 5025

E: [sales@times-7.com](mailto:sales@times-7.com)

[www.times-7.com](http://www.times-7.com)



The SlimLine A6034S

Up to 9m / 29 ft. read range

Just 12 mm / 0.5 in. thick

High performance & rugged design

Suitable for indoor/outdoor use & industrial applications

Part of the SlimLine range of multi-purpose antennas, the A6034S is an ultra-low profile high performance circularly polarized flat panel antenna. With a read range of up to 9 m / 29 ft. and utilizing a narrow even beam, the A6034S provides for a highly accurate read zone. The rugged design of the A6034S makes it suitable for a range of indoor / outdoor RFID deployments, including industrial applications.

Order Information

**Ordering Information (please quote product code, band / cable type & part no.)**

Antenna Product Code	Band	Part No.
A6034S	ETSI 865-868 MHz	71002
A6034S	FCC 902-928 MHz	71003
Cable Accessories Product Code	Cable Type	Part No.
Cable 2 m, SMA to RPTNC	T7 195 / 240 / 400	71436 / 71782 / 72042
Cable 4 m, SMA to RPTNC	T7 240 / 400	71784 / 72043
Cable 6 m, SMA to RPTNC	T7 240 / 400	71904 / 72044
Cable 8 m, SMA to RPTNC	T7 240 / 400	71788 / 72045
Mounting Accessory Product Code	Band	Part No.
Mounting Bracket	ETSI and FCC	71633

\*Built in New Zealand. ROHS & CE compliant.

View the Times-7 Cable Accessory datasheet [here](#)

## Specifications

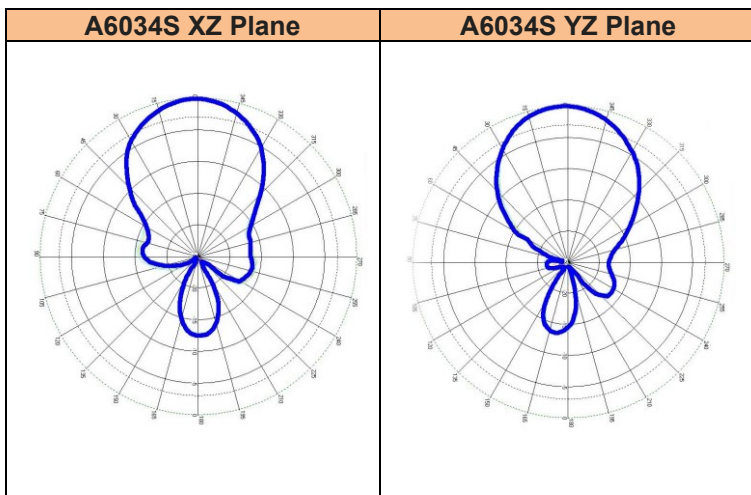
### Physical / Environmental Specifications

Dimensions: Length (x) x Width (y) x Depth (z)	393 mm x 393 mm x 12.2 mm 15.47" x 15.47" x 0.48"
Boxed unit dimensions: (L x W x D)	425 mm x 415 mm x 30 mm 16.73" x 16.33" x 1.18"
Weight:	Net: 1.452 kg / 3.20 lbs. Gross: 1.754 kg / 3.86 lbs.
Radome Material:	Fire retardant ABS
Environmental Rating:	IP65
Operating / Storage Temperature:	-20° to +55°C / -30° to +65°C -4° to +131°F / -22° to +149°F
Mounting:	Integrated mounting holes / mounting bracket???
Connector type / position:	SMA female side fly lead (300mm / 1ft)

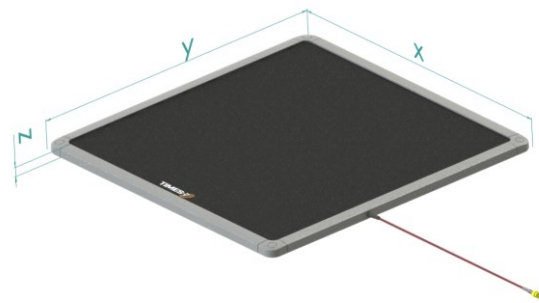
## Electrical Specifications

Frequency Range:	865-868 MHz / 902-928 MHz
Polarization:	RHCP (Right Hand Circular Polarised)
Far-field Gain:	9 dBiC typical
Far-field 3 dB beamwidth: *	50° in both planes
VSWR	1.4 typical
Front to back ratio:	13 dB
Axial Ratio:	< 2 dB at boresight
Nominal impedance:	50 Ω
Anti-static protection:	Yes, DC grounded
Antenna detection	10 K Ω resistance
Maximum Input Power:	3 W

## Radiation Pattern



## Azimuth Planes



## Mounting Information

### Bracket mount

The Times-7 Mounting Plate for the A6034S is designed to support VESA brackets. For exact dimensions, please refer to the mechanical drawings. For instructions on how to attach the bracket to the antenna please click [here](#).

## Installation Instructions

1. Ensure that only finger tightness is used for the SMA connector. Use of tools to tighten the connector will apply excessive force and will damage the connector.
2. Avoid any load or bending force from the cable on the connector.

## Applications

### Customer Facing Environments

The SlimLine A6034S is an ultra-low profile circularly polarized antenna with high gain, perfect for space constrained and customer facing environments. The A6034S excels in applications where long / highly accurate read zones are required.



### Industrial Applications

In industrial applications, the A6034S provides higher product visibility, eliminates manufacturing errors, enables asset management, and can increase production speed.



### OUR GLOBAL NETWORK

In addition to our world-class products and in-depth expertise, Times-7 is known for their quality of customer service and technical support. We place emphasis on our responsiveness in supporting a large global customer base and ensuring the success of our customer's implementations.

Times-7 Research Ltd  
10 Te Puni Street  
Lower Hutt 5012  
New Zealand

NEW ZEALAND  
P: +64 4 974 6566

USA/CANADA  
P: +1 408 769 5025

E: [sales@times-7.com](mailto:sales@times-7.com)

[www.times-7.com](http://www.times-7.com)

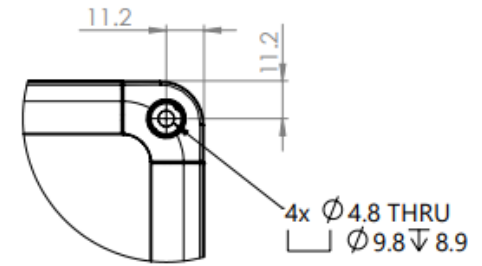
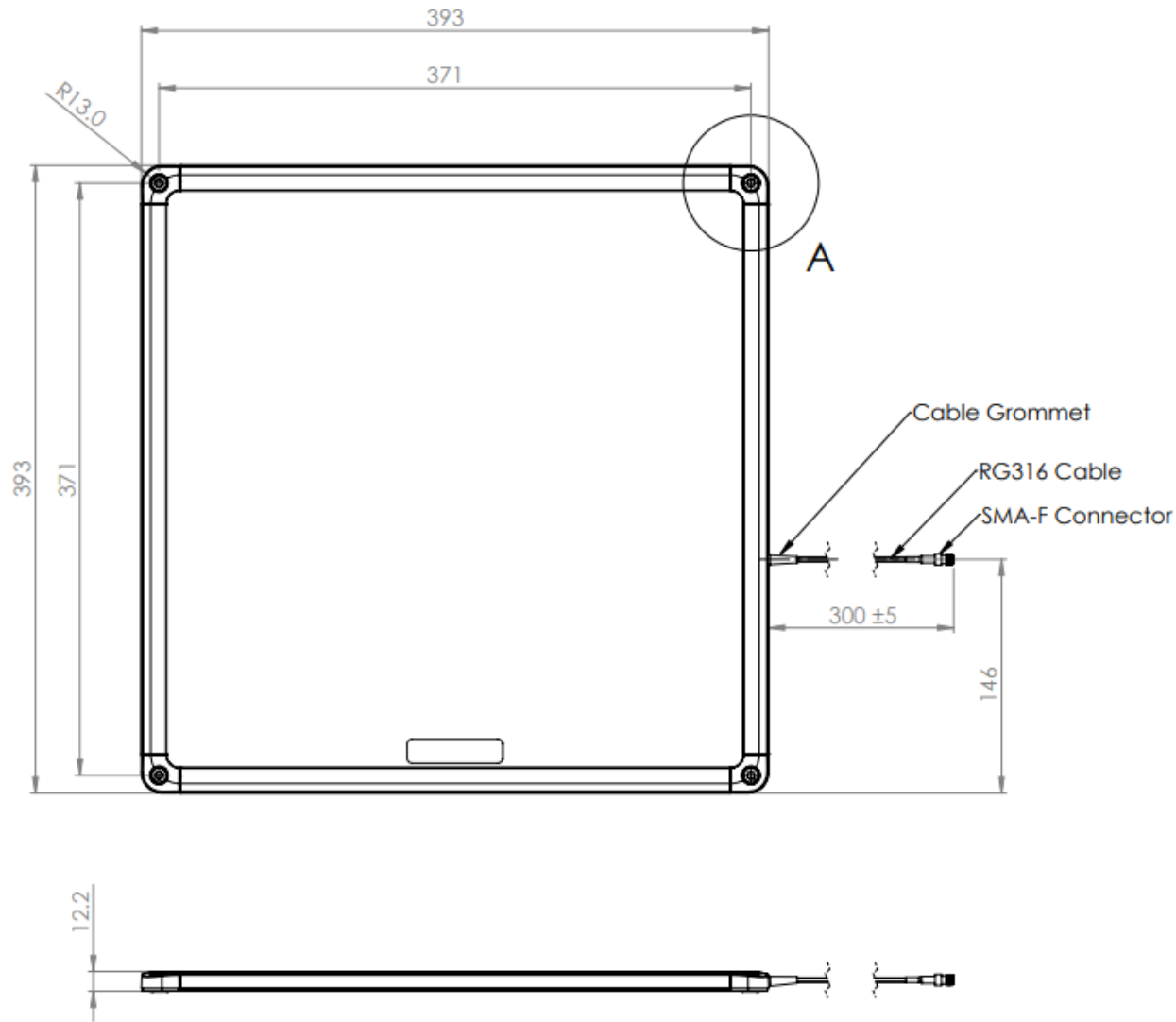
The technical data contained in this publication is not a guarantee for which Times-7 Research Ltd assumes legal accountability. It is indicative of typical performance, and if required should be relied on for specific applications only after due verification.

All technical data, specifications and other information contained herein are deemed to be the proprietary intellectual property of Times-7 Research Ltd. No reproduction, copy or use thereof may be made without the express written consent of Times-7 Research Ltd.

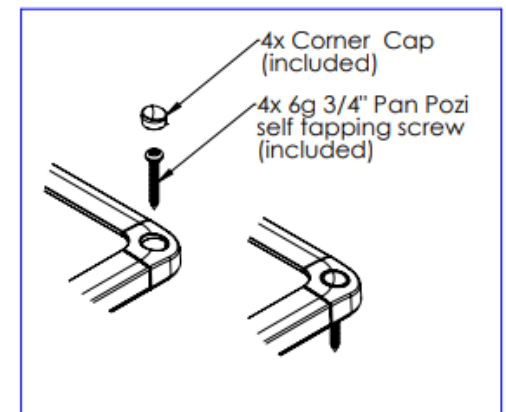
Times-7, and the stylized T-7 Antennas logo are trademarks or registered trademarks of Times-7 Research Ltd. All other trademarks are the property of their respective owners.

© 2022 Times-7 Research Ltd. All rights reserved. Specifications are subject to change without notice.  
Datasheet v3.0

# Mechanical Drawing for the A6034S



DETAIL A  
SCALE 2 : 3

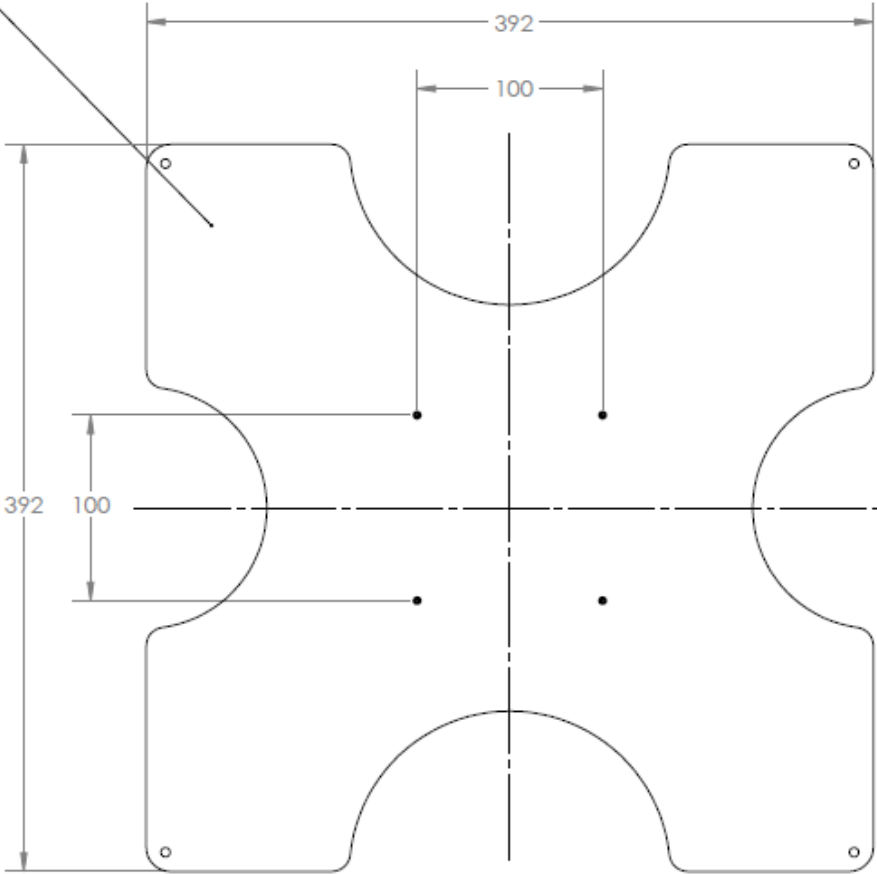


THE INFORMATION CONTAINED IN THIS DRAWING IS THE SOLE PROPERTY OF TIMES-7 LTD. ANY REPRODUCTION IN PART OR AS A WHOLE WITHOUT THE WRITTEN PERMISSION OF TIMES-7 IS PROHIBITED.		DIMENSIONS ARE IN mm UNLESS OTHERWISE SPECIFIED TOLERANCES: NO DECIMAL PLACES $\pm 1$ ONE PLACE DECIMAL $\pm 0.5$				DESCRIPTION A6034S Antenna	
DRAWN C Wilson	SIGNATURE 	DATE 26/05/2019	SIZE A3	PART NO. 71002 (ETSI) , 71003 (FCC)	REV B	DO NOT SCALE DRAWING	
APPROVED R Lopez	SIGNATURE 	DATE 11/06/2019	SHEET 1 OF 1				

Mechanical Drawing for the A6034S Mounting Plate



Grey Powdercoated Aluminium



4x M4 VESA Studs